

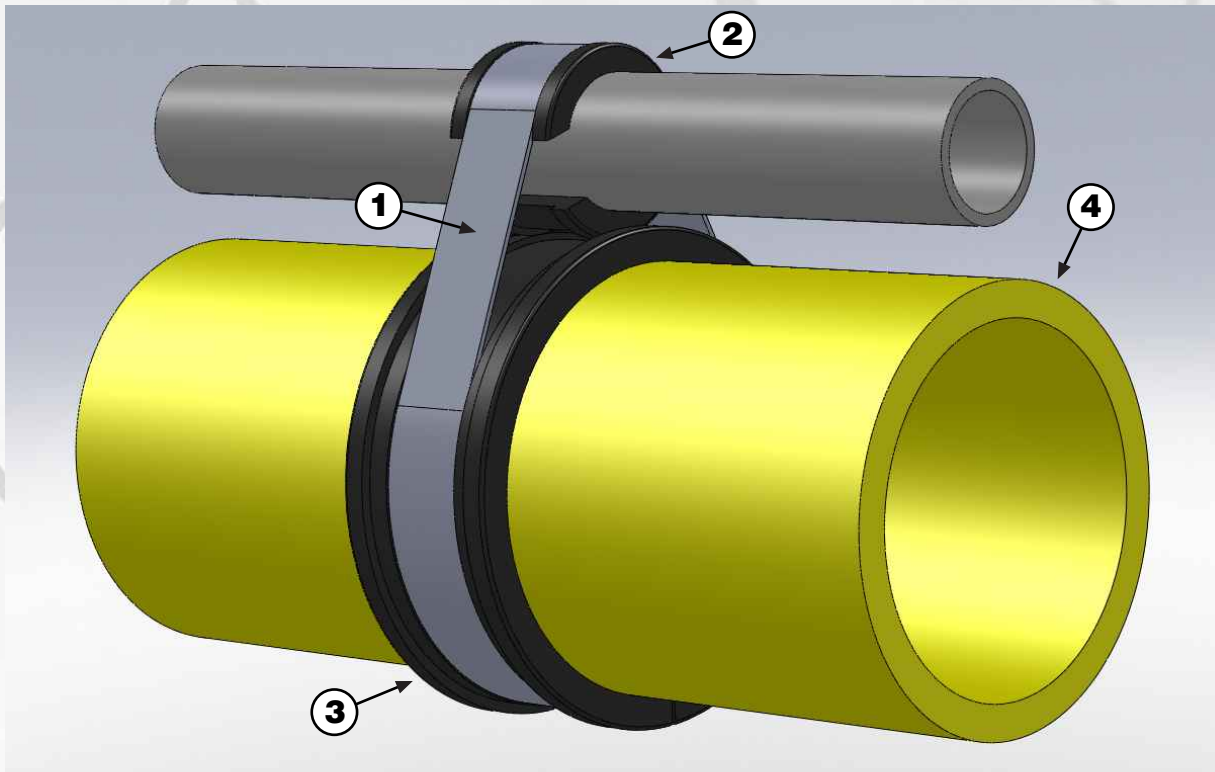
HELIMESH™



INSTALLATION PROCEDURE

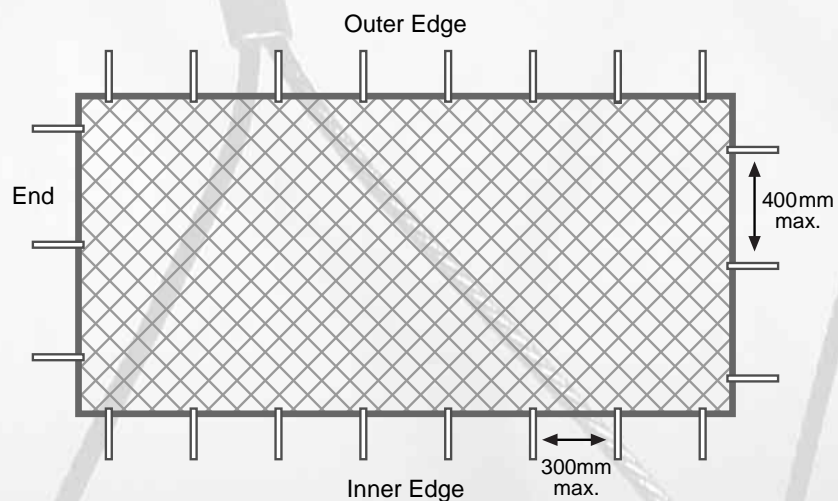
Installation is a relatively simple procedure using pre-supplied items from HELIMESH

1. 316 Grade Stainless Steel Strapping & Buckles (note: buckle not shown)
2. Heliclip (provides positive location for stainless steel strapping and Heliband)
3. Heliband (isolates stainless steel strapping from perimeter structure)
4. Existing helideck perimeter structure
5. Stainless steel strap tensioning tool (not shown)



316 Stainless Steel Strap Spacing & Fitting Procedure

- Care must be taken to insure that strapping intervals are a maximum of 300mm centres on Helimesh safety net panel inner and outer edges and 400mm centres on panel ends
- Refer Strapping Tool Instruction Leaflet provided for correct strapping method



HELIMESH™



TECHNICAL SPECIFICATIONS & MEASURING DETAILS

TUBE FRAME & NETTING

WIRE: 2.4mm Ø 7x7 316 Grade Stainless Steel

FERRULES (JOINERS): Annealed 316 Grade Stainless Steel or Copper (Client preference)

TUBE FRAME: 19mm OD x 1.6mm Wall 316 Grade Stainless Steel

FASTENING MATERIALS

STRAPPING: ½" wide, 316 Grade Stainless Steel

BUCKLES: ½" size, 316 Grade Stainless Steel

HELICLIP - UV Stabilised HDPE Helimesh tube frame isolator

HELIBAND - UV Stabilised HDPE perimeter structure isolator

(sizes to suit 48.3 to 54.0mm dia. and 60.3 to 63.5mm dia. tube/pipe)

316 SS BUCKLE



316 SS STRAP



STRAP TENSIONING TOOL



HELICLIP

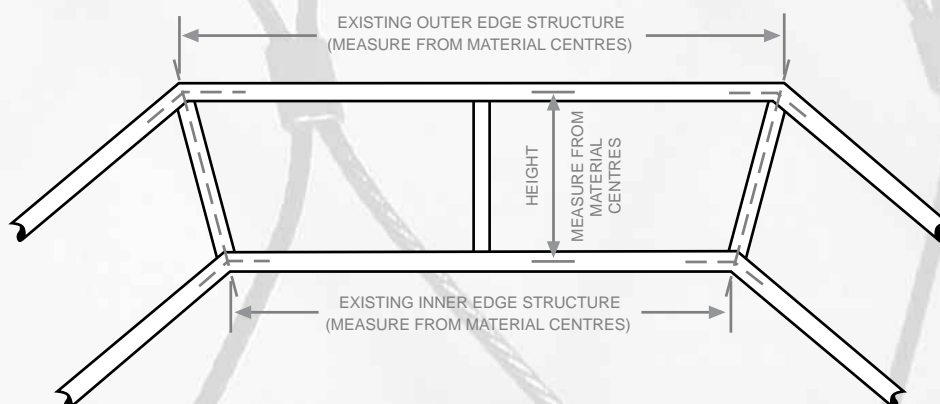


HELIBAND

MEASURING

As each HELIMESH panel is custom made to fit existing heli-deck platform perimeter structures it is important to survey and accurately measure the as-built structure dimensions. With this information provided, HELIMESH panels are designed & modelled to suit.

To assist with measuring please follow the following example:



Australia Office
Tel +(61)-8-9470-5822
sales@helimesh.com

HELIMESH™
www.helimesh.com

Denmark Office
Tel +(45)-2811-7277
jan@helimesh.dk

